



Genesee BioMedical, Inc.

Peak Performance Products for Cardiac Surgery

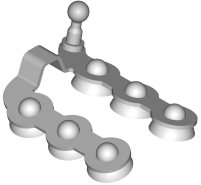
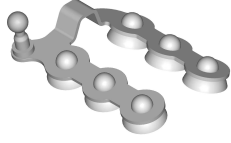
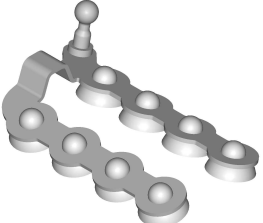
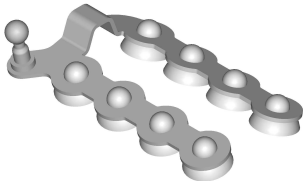
Phone: (303) 777-3000

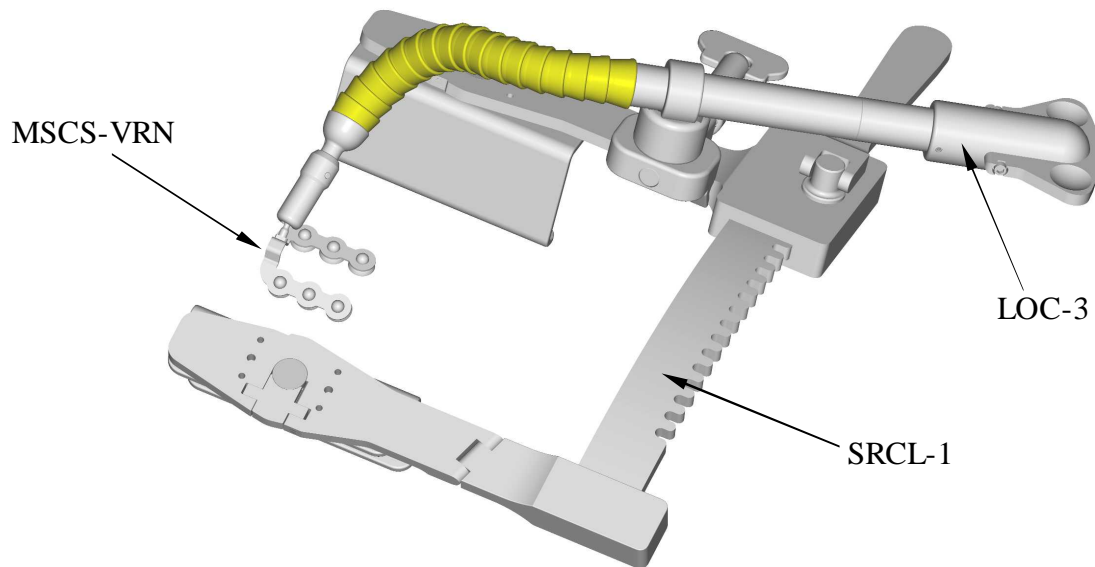
Toll-Free Phone: 1-800-786-4890

Fax: (303) 777-8866

www.geneseebiomedical.com

Tender Foot™ Epicardial Suction Cup Stabilizer Feet*

| Image | Product Code | Description | Quantity Per Box | | |
|---|--------------|---|------------------|--|--|
|  | MSCS-VRN | Malleable Suction Cup Epicardial Stabilizer - Small, Vertical Right Mount, Non-Occlusive | 5 each per box | | |
|  | MSCS-VLN | Malleable Suction Cup Epicardial Stabilizer - Small, Vertical Left Mount, Non-Occlusive | 5 each per box | | |
|  | MSCM-VRN | Malleable Suction Cup Epicardial Stabilizer - Medium, Vertical Right Mount, Non-Occlusive | 5 each per box | | |
|  | MSCM-VLN | Malleable Suction Cup Epicardial Stabilizer - Medium, Vertical Left Mount, Non-Occlusive | 5 each per box | | |



*Patent Pending